



# Leverage Testing

## Data Collection Sheet

Version: 1.1-0612 Copyright © 2008

Control #: \_\_\_\_\_

Date: \_\_\_\_\_ Farrier: \_\_\_\_\_ Vet: \_\_\_\_\_

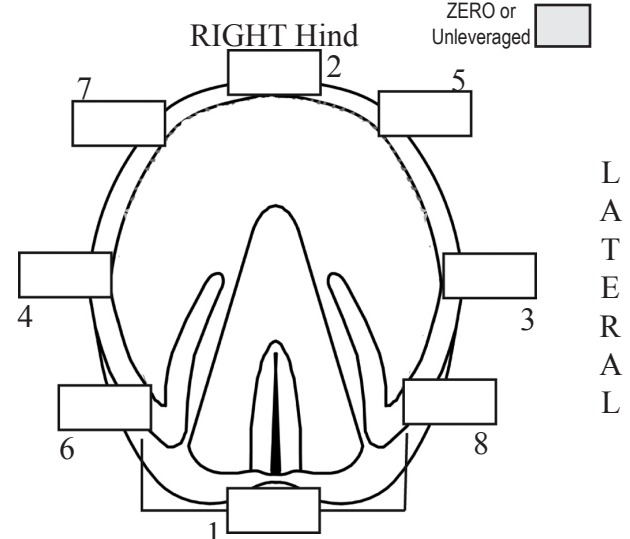
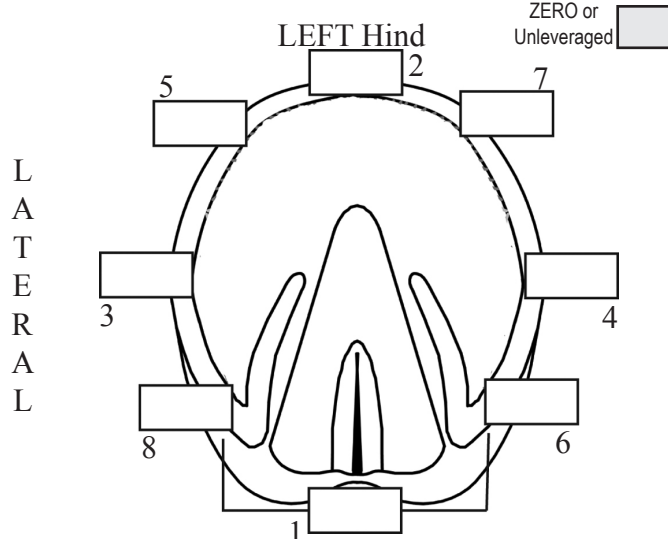
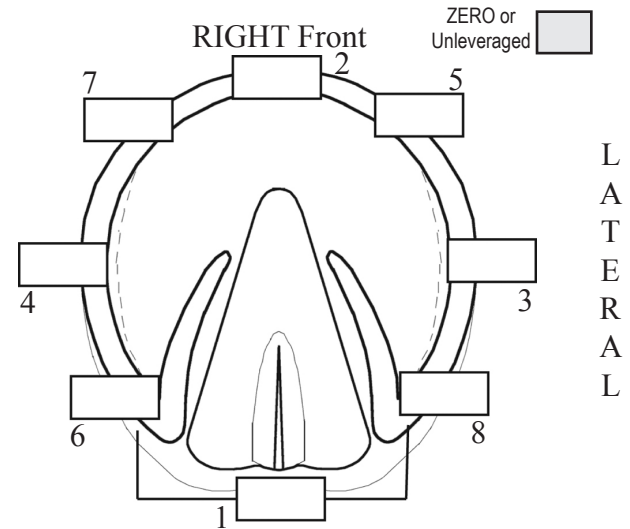
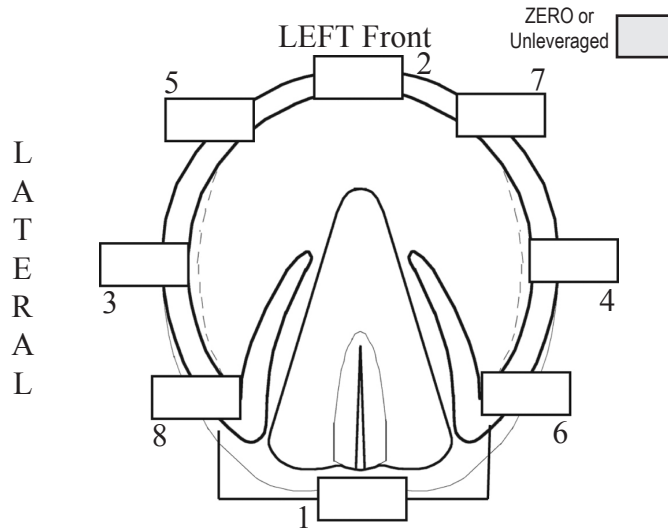
Owner's Name: \_\_\_\_\_ City/State: \_\_\_\_\_ Phone: \_\_\_\_\_

Horse's Name: \_\_\_\_\_ Age: \_\_\_\_\_ Breed: \_\_\_\_\_

Discipline/Use: \_\_\_\_\_ Initial Shoeing or Reset (if reset, what #): \_\_\_\_\_

See Detailed Instruction Video or Instruction Guide for Appropriate Leverage Testing Protocol. Use the table below as your basic grading scale. (Note: It is important to pick up both feet prior to using the leverage testing device to establish a ZERO or Un-Leveraged Position.) Recommended sequence numbers are provided just outside grading boxes.

- 3	- 2	- 1	0 (Neutral)	+ 1	+ 2	+ 3
Strong Dislike	Moderate Dislike	Mild Dislike	Indifferent	Mild Like	Moderate Like	Strong Like
Unwilling to Pick Up Un-Leveraged Foot or Cannot Even Get Foot with Leverage Device Placed on the Ground Due to Discomfort.	Will Pick Up Un-Leveraged Foot with Hesitation, But Anxious to Put it Back on the Ground. Unloads Leveraged Foot Immediately.	Will Pick Up Un-Leveraged Foot But Will Not Hold it Up For Long. Unloads Leveraged Foot Faster Than The 0 Position.	Displays No Definite Comfort or Discomfort with the Position of the Leverage Device.	Willing to Pick Up Foot. Not In a Hurry to Place it Back on the Ground. Unloads the Leveraged Foot Similar or Slower than 0 Position.	More Willing to Pick Up Foot. Slow to Put Foot Down. Not Eager to Unload the Other Foot. Relaxes and May Elicit Some Licking & Chewing.	Picks Up Foot Without Asking. Holds Foot Up After Letting Go. Does Not Unload Leveraged Foot. Lots of Licking & Chewing.



Notes: \_\_\_\_\_